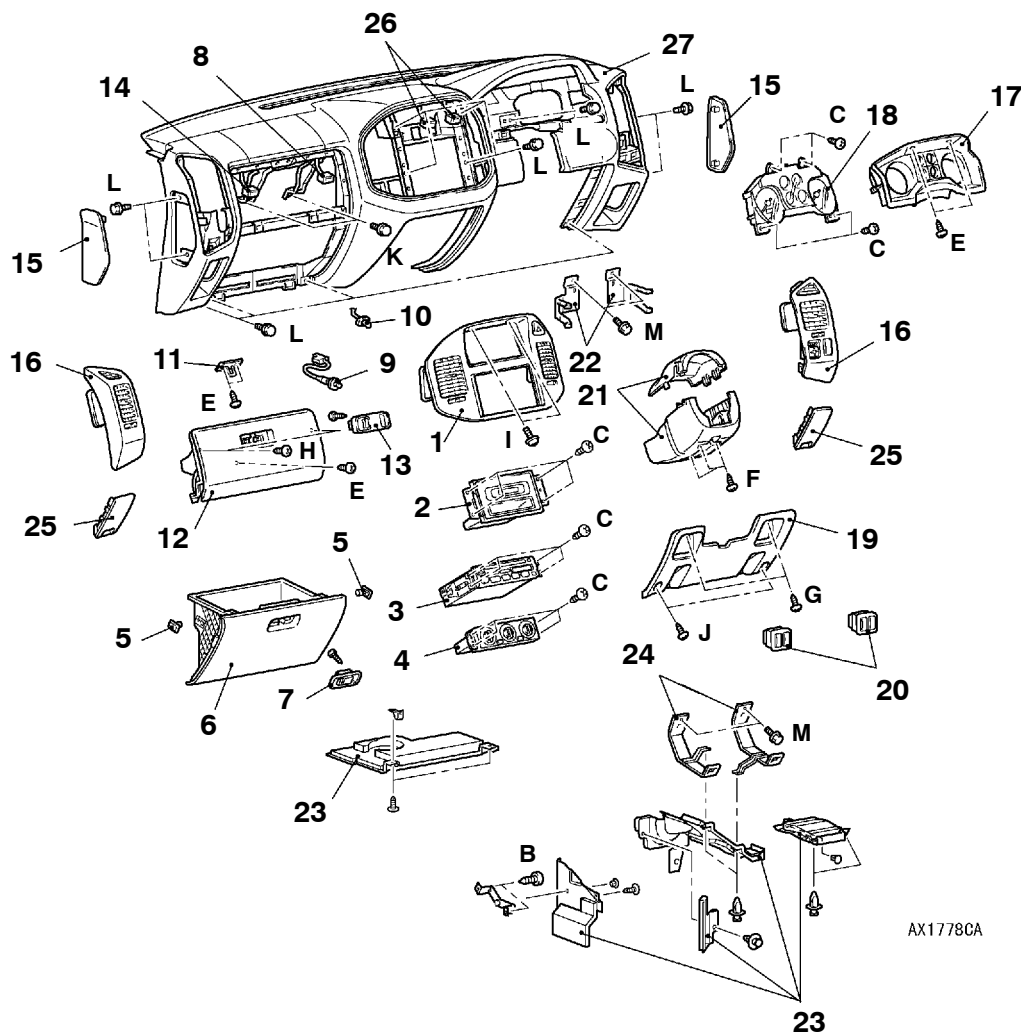


CAUTION: SRS
When removing and installing the instrument panel (vehicles equipped with SRS), do not let it bump against the SRS-ECU.

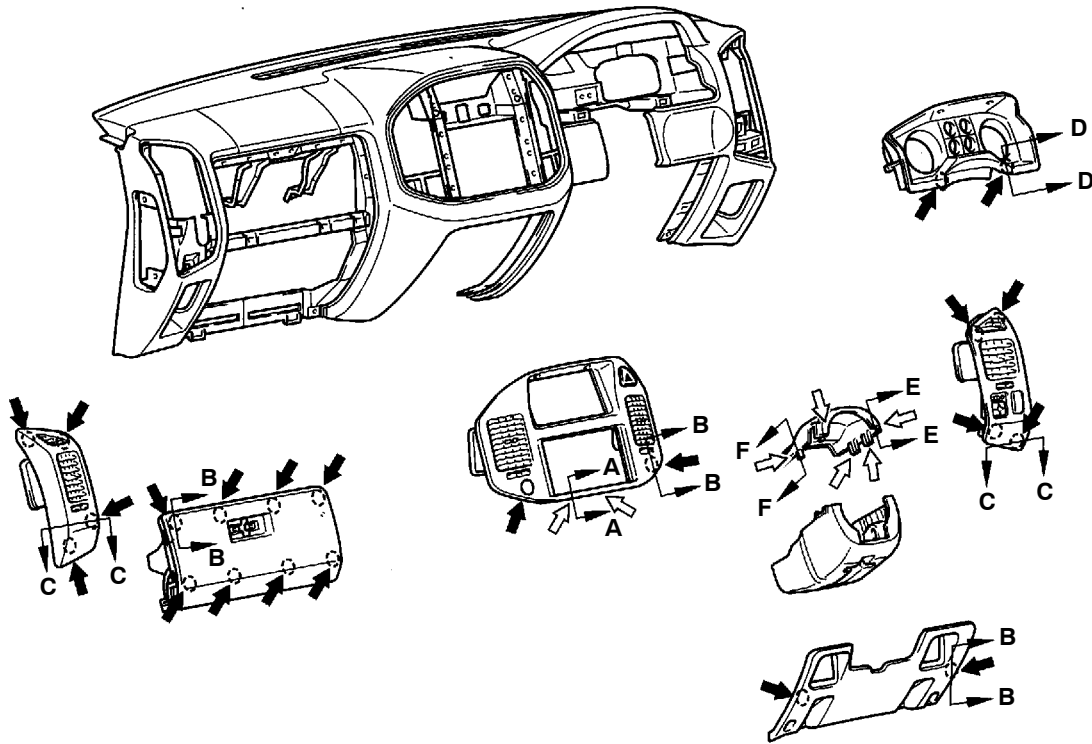


AX1778CA

Removal steps

- Rear floor console assembly (Refer to P.52A-12.)
- CD player unit (Refer to GROUP 54A.)
- Front floor console (Refer to P.52A-12.)
- 1. Center panel assembly
- 2. Center display
- 3. Radio and tape player
- 4. Manual air conditioner assembly
- 5. Glove box stopper
- 6. Glove box assembly
- 7. Glove box lock
- 8. Glove box lamp switch harness connector
- 9. Glove box lamp switch
- 10. Glove box lamp
- 11. Upper glove box striker
- 12. Upper glove box assembly
- 13. Upper glove box lid lock
- 14. Front passenger's side air bag module harness connector
- 15. Instrument panel side cover
- 16. Air outlet assembly
- 17. Meter bezel
- 18. Combination meter assembly
 - Hood opener lever (Refer to GROUP 42.)
 - Fuel lid opener lever (Refer to GROUP 42.)
- 19. Lower panel
- 20. Switch panel
- 21. Column cover
- 22. Stay A
 - Assist grip (Refer to P.52A-13,15.)
 - Front pillar trim (Refer to P.52A-13,15.)
- 23. Under cover assembly
- 24. Stay B
- 25. Corner lower panel
- 26. Photo sensor harness connector
 - Steering shaft assembly bolt (Refer to GROUP 37A.)
- 27. Instrument panel assembly

CLIP AND CLAW POSITION



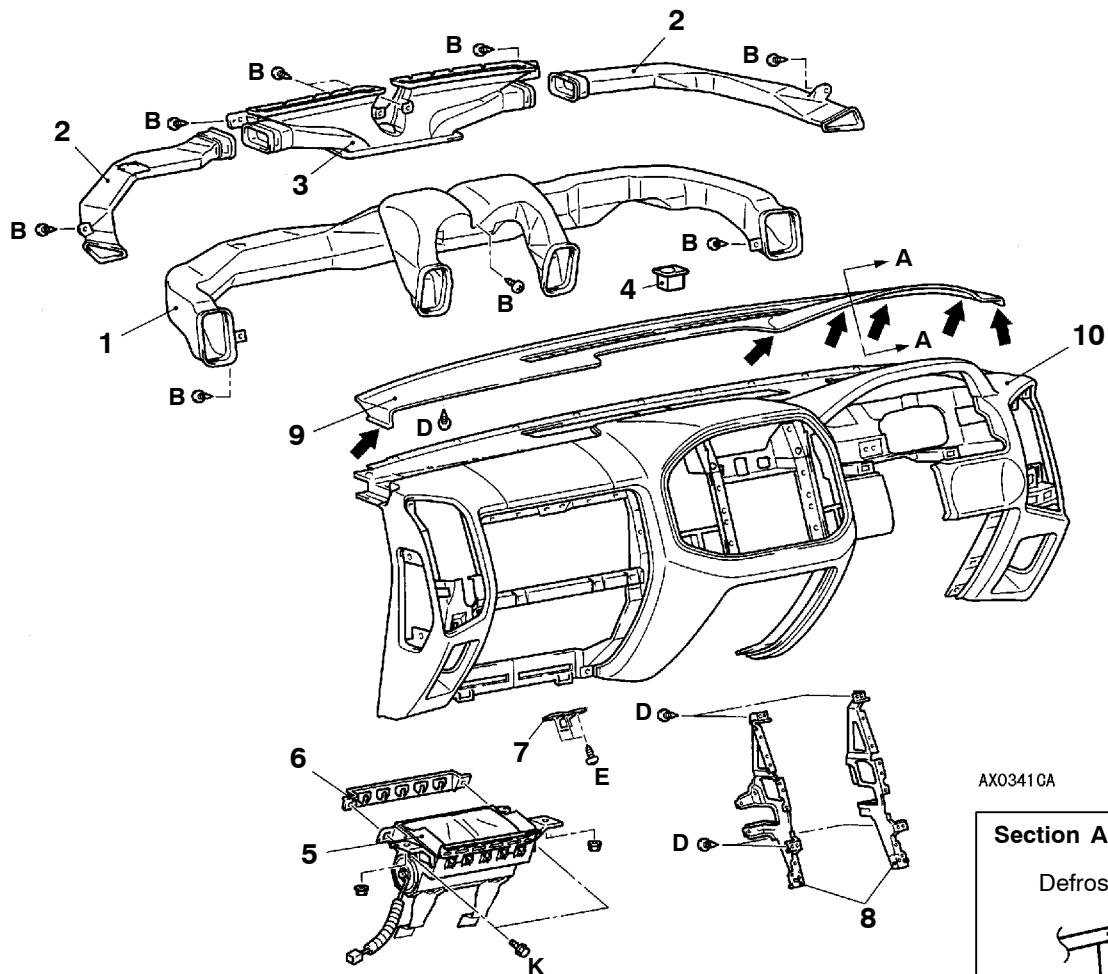
NOTE

- ◄ : Clip position
- ◁ : Claw position

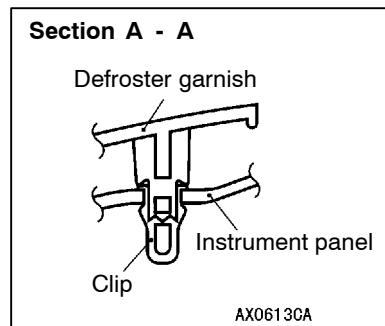
AX0873CA

<p>Section A - A</p> <p>Claw Center panel assembly Instrument panel AX0617CA</p>	<p>Section B - B</p> <p>Instrument panel Clip Center panel assembly and upper glove box assembly and lower panel BW0627AQ</p>	<p>Section C - C</p> <p>Clip Instrument panel Air outlet assembly AX0616CA</p>	<p>Section D - D</p> <p>Clip Instrument panel Meter bezel BV0786AE</p>
<p>Section E - E</p> <p>Claw Column cover AX0615CA</p>	<p>Section F - F</p> <p>Claw Column cover AX0614CA</p>		

DISASSEMBLY AND REASSEMBLY



AX0341GA



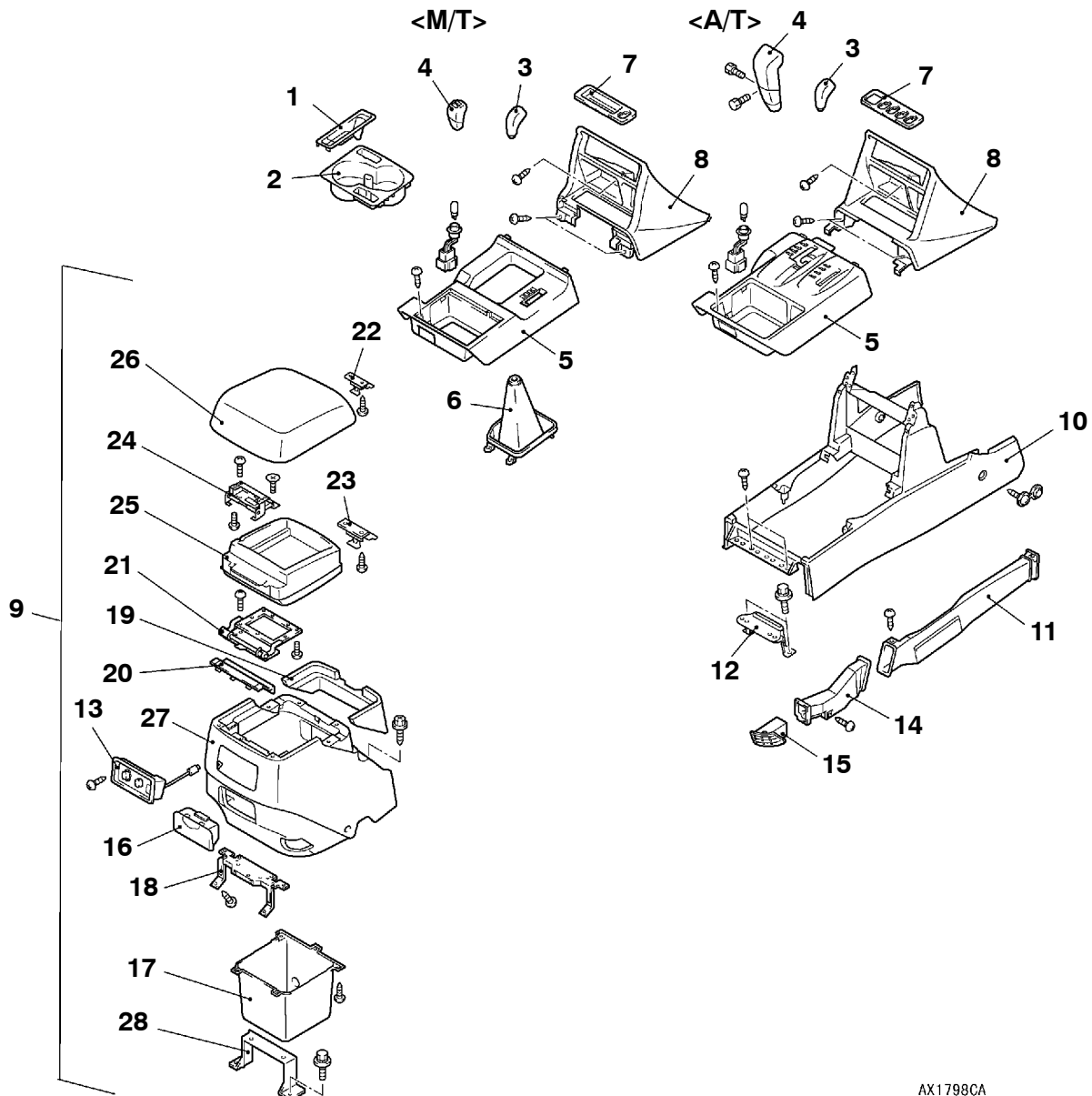
Disassembly steps

1. Distribution duct
2. Side defroster duct
3. Center defroster duct
4. Photo sensor
5. Front passenger's side air bag module

6. Air bag side plate
7. Glove box striker
8. Instrument panel center reinforcement
9. Defroster garnish
10. Instrument panel

FLOOR CONSOLE

REMOVAL AND INSTALLATION



AX1798CA

Removal steps

1. Parking brake lever cover
2. Cup holder
3. Transfer shift knob
4. Selector lever knob
5. Indicator panel
6. Shift lever cover
7. Switch panel
8. Lower center panel
- Parking brake lever mounting bolt
9. Rear floor console assembly
10. Front floor console
11. Rear heater duct A
12. Console bracket A
13. Rear control assembly
14. Rear heater duct B
15. Rear heater duct nozzle
16. Rear floor console ashtray
17. Rear floor console box
18. Rear floor console bracket
19. Rear floor console upper cover
20. Rear floor console hinge cover
21. Hinge bracket
22. Lock A
23. Lock B
24. Lid bracket
25. Lid box
26. Lid assembly
27. Rear floor console
28. Console bracket B